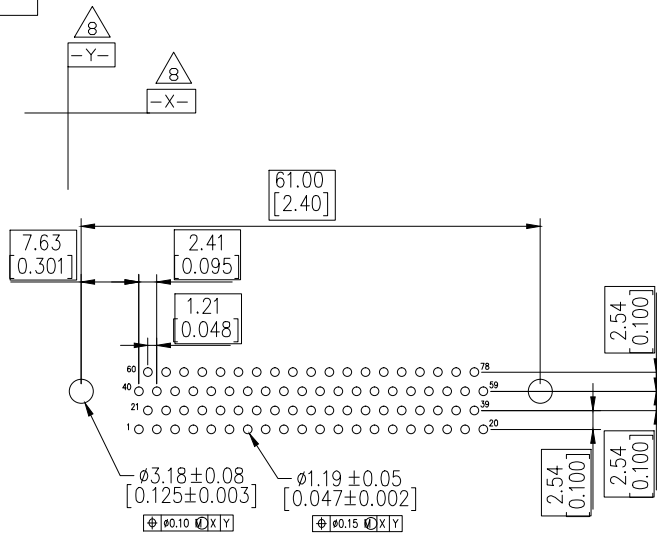
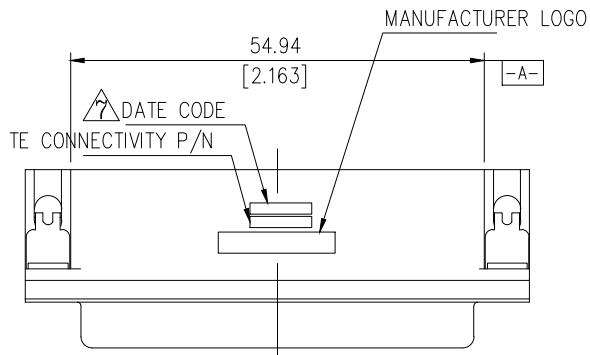


THIS DRAWING IS UNPUBLISHED. RELEASED FOR PUBLICATION  
 © COPYRIGHT - By - ALL RIGHTS RESERVED.

LOC	DIST	REVISIONS					
GP	00	P	LTR	DESCRIPTION	DATE	DWN	APVD
		B3		REVISED (ECR-14-000726)	30APR14	S.C	H.L



RECOMMENDED PCB LAYOUT

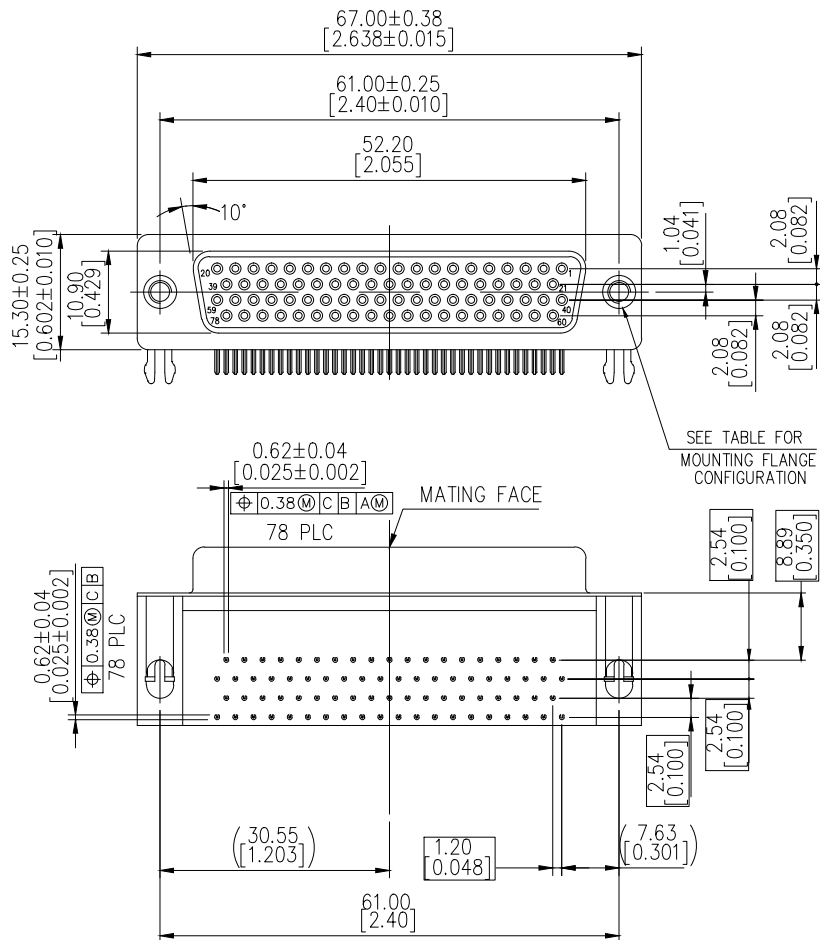
- HOUSING MATERIAL: PBT, GLASS FILLED, BLACK, UL 94V-0 RATED.
- CONTACT MATERIAL: PHOSPHOR BRONZE.
- CONTACT FINISH: GOLD PLATE IN MATING AREA (SEE TABLE), 120μ" MIN TIN PLATE ON SOLDER TAIL, BOTH OVER 50μ" MIN NICKEL UNDERPLATE.
- SHELL: STEEL, NICKEL PLATE.
- BOARDLOCK: BRASS, 100μ" MIN TIN PLATE.
- FEMALE SCREWLOCKS/ THREADED INSERTS: BRASS, NICKEL PLATE.

△ FOUR DIGIT DATE CODE IN THIS FORMAT.

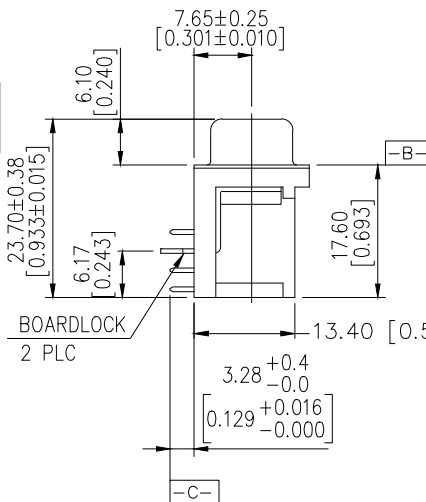
01 45

Year \_\_\_\_\_ Manufacturing Week \_\_\_\_\_

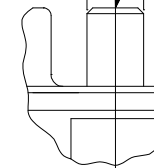
△ DATUMS  $-X-$  &  $-Y-$  TO BE ESTABLISHED BY CUSTOMER.



SEE TABLE FOR MOUNTING FLANGE CONFIGURATION

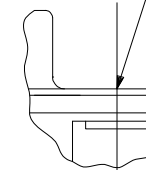


φ 4.80±0.25 [1.189±.010]  
 #4-40 FIXED FEMALE SCREWLOCK  
 2 PLC



Detail A

#4-40 THREADED INSERT  
 2 PLC



Detail B

OBSOLETE	Tray	Detail A	15μ" MIN	2-5748483-2
OBSOLETE	Tray	Detail B	Gold flash	2-5748483-1
OBSOLETE	Tray	Detail B	15μ" MIN	2-5748483-0
OBSOLETE	Tray	Detail A	30μ" MIN	5748483-6
	Tray	Detail B	30μ" MIN	5748483-5
Packaging		Mounting Flange Configuration	Contact Mating Area Finish	Part NO.

THIS DRAWING IS A CONTROLLED DOCUMENT.		DWN B.MCMMASTER 21SEP05	TE Connectivity												
DIMENSIONS: mm		CHK S. BOLASH 21SEP05	NAME												
TOLERANCES UNLESS OTHERWISE SPECIFIED:		APVD M. WALMSLEY 21SEP05	AMPLIMITE HD-22 78 POS RECEPTACLE, RIGHT ANGLE												
<table border="1"> <tr> <td>0 PLC</td> <td>± .01</td> </tr> <tr> <td>1 PLC</td> <td>± .030</td> </tr> <tr> <td>2 PLC</td> <td>± .020</td> </tr> <tr> <td>3 PLC</td> <td>± .010</td> </tr> <tr> <td>4 PLC</td> <td>± .005</td> </tr> <tr> <td>ANGLES</td> <td>± 2°</td> </tr> </table>		0 PLC	± .01	1 PLC	± .030	2 PLC	± .020	3 PLC	± .010	4 PLC	± .005	ANGLES	± 2°	APPLICATION SPEC	
0 PLC	± .01														
1 PLC	± .030														
2 PLC	± .020														
3 PLC	± .010														
4 PLC	± .005														
ANGLES	± 2°														
MATERIAL	FINISH	SIZE A2	CAGE CODE 00779	DRAWING NO 5748483											
-		RESTRICTED TO													
-		CUSTOMER DRAWING													
		SCALE 4:1	SHEET 1 of 1	REV B3											

5748483-5, 2--0, & 2--1 SHOWN

5748483

A